

ASSEMBLY INSTRUCTIONS

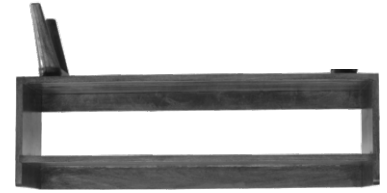
ITEM CODE : IN2047

ITEM DESCRIPTION : SHOE CABINET



1

Reverse the Cabinet & place the leg as shown & align the leg to match the apron.



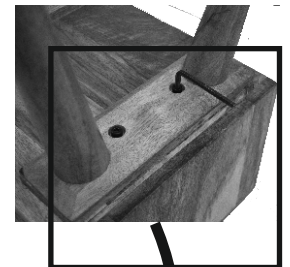
3

Fix the other leg in the similar way



Insert the Bolt to fix the leg with the unit top and tighten the nut with the washer as shown in fig1

2



4

Reverse the Cabinet straight. Now your Cabinet is ready for use

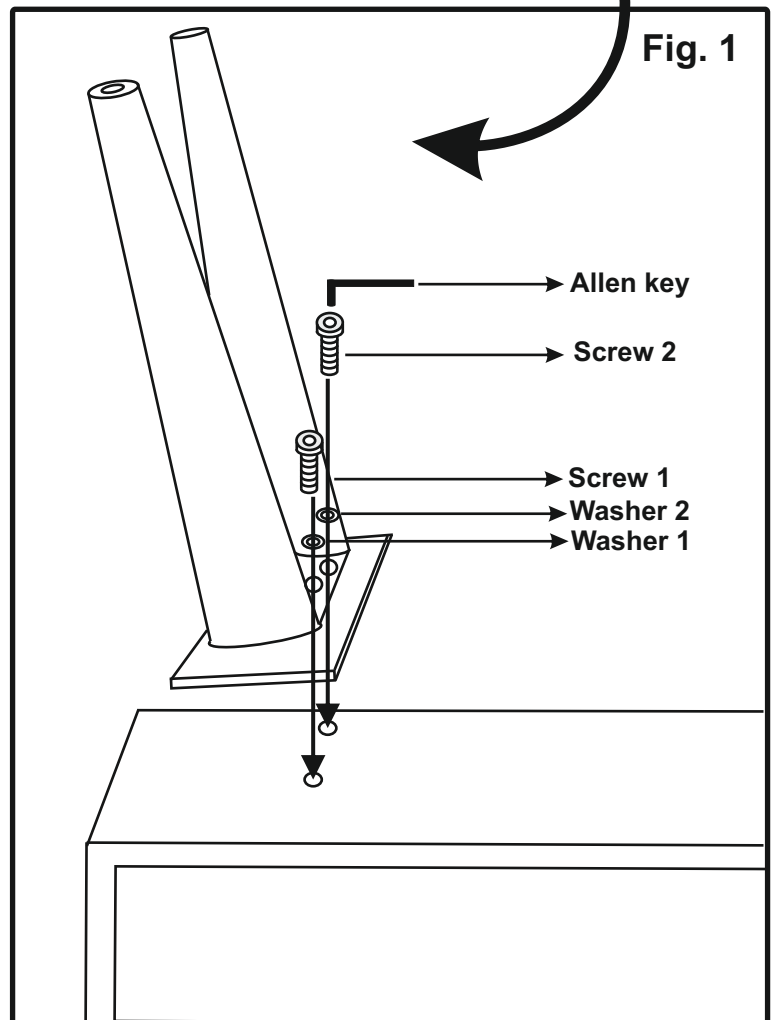
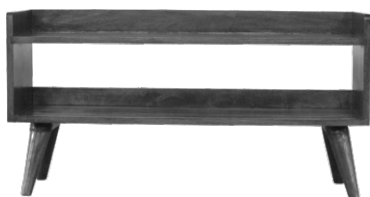


Fig. 1