

ASSEMBLY INSTRUCTIONS

ITEM CODE : IN1011

ITEM DESCRIPTION : 3 DRAWER 1 DOOR CABINET



1

Reverse the cabinet & place the leg as shown & align the leg to match the apron.



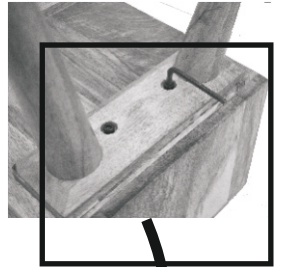
2

Insert the Bolt to fix the leg with the Bedside top and tighten the nut with the washer as shown in fig1



3

Fix the other leg in the similar way



4

Reverse the cabinet straight. Now your cabinet is ready for use

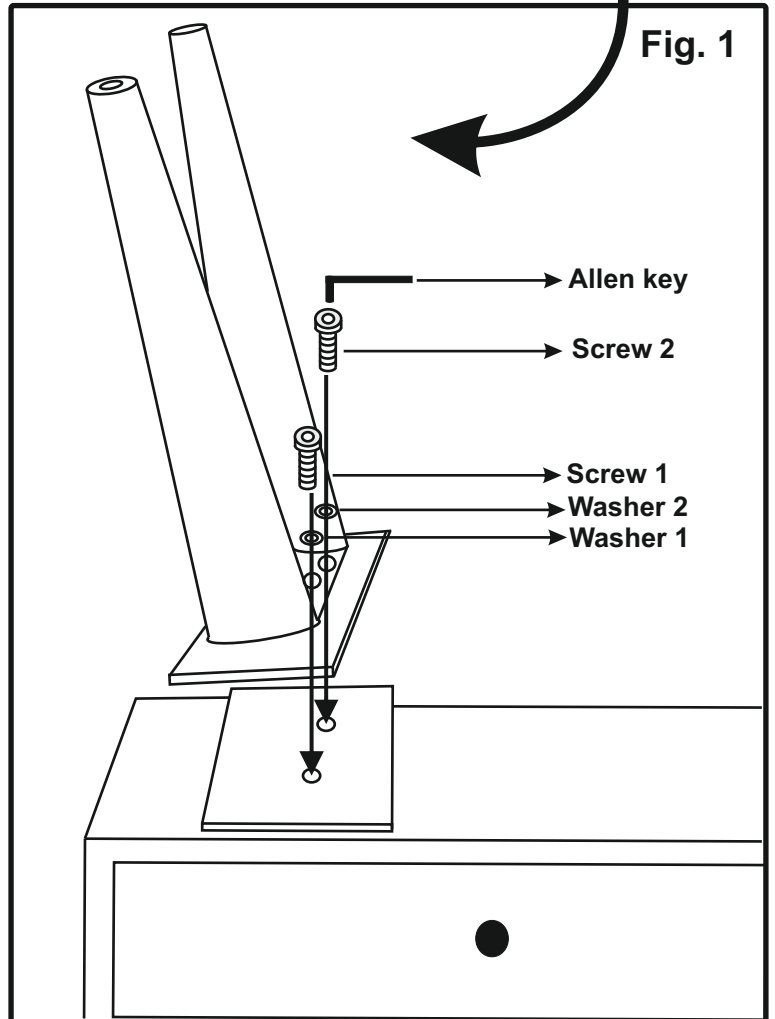


Fig. 1